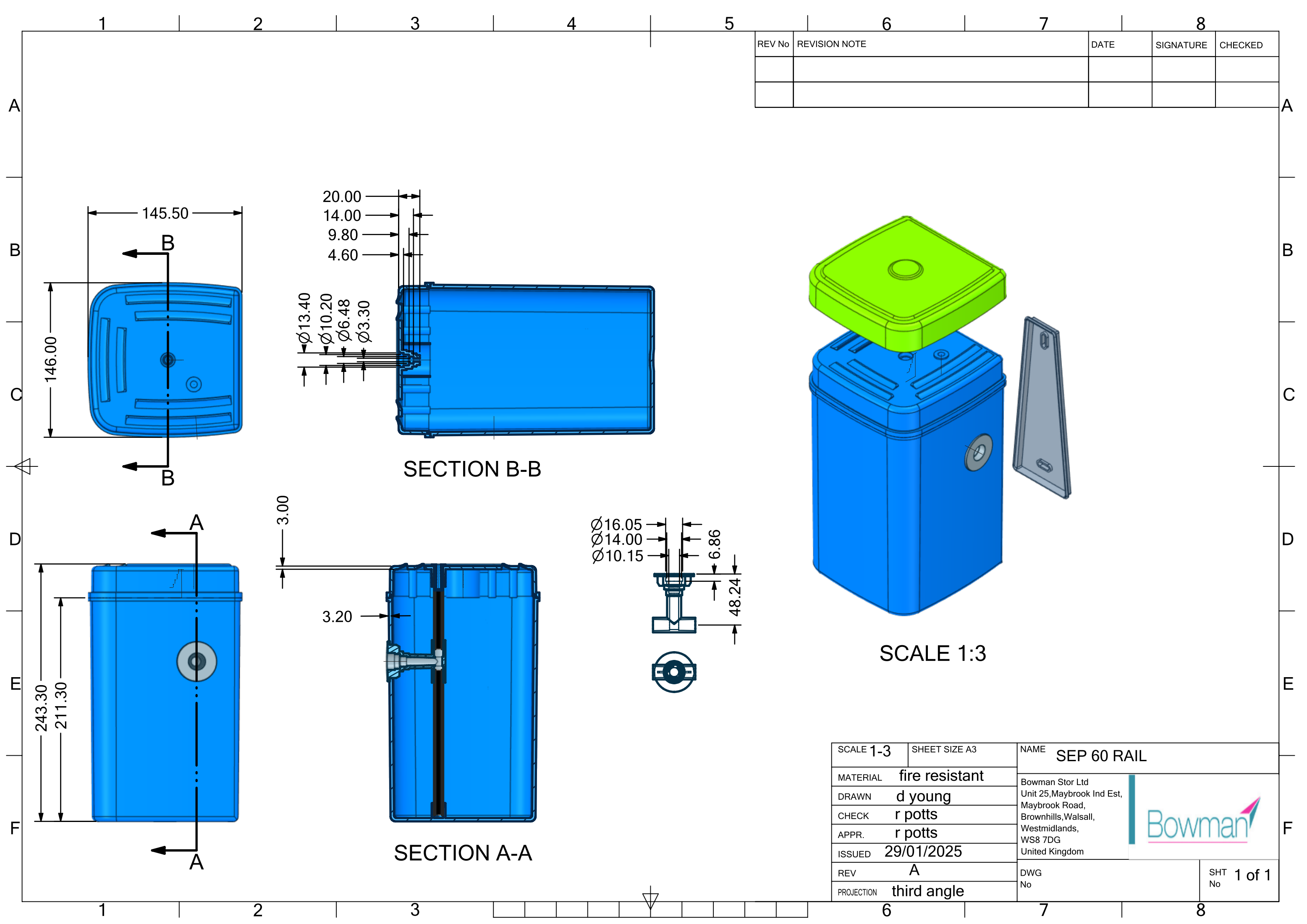



REV No	REVISION NOTE	DATE	SIGNATURE	CHECKED



SECTION B-B

SECTION A-A

SCALE 1:3

SCALE 1-3	SHEET SIZE A3	NAME SEP 60 RAIL
MATERIAL fire resistant	DRAWN d young	Bowman Stor Ltd Unit 25, Maybrook Ind Est, Maybrook Road, Brownhills, Walsall, West Midlands, WS8 7DG United Kingdom 
CHECK r potts	APPR. r potts	
ISSUED 29/01/2025	REV A	
PROJECTION third angle	DWG No	
	SHT No 1 of 1	